

► **Code Number**

3315010

► **Description**

Battery Powered, Sensor Activated Electronic Hand Washing Faucet for tempered or hot/cold water operation.

► **Flow Rates**

0.5 gpm/1.9 Lpm Vandal Resistant Spray Head

► **Specifications**

- Splash-proof Circuit Control Module
- Fiber Optic, Automatic, Self-adaptive Sensing
- Isolated Latching Solenoid Operator, isolates magnetic components from water contact
- Audible Tone Low Battery Indicator
- Serviceable Filtered Solenoid Valve
- Vandal Resistant Spray Head with Pressure Compensating Flow Control
- Polypropylene Optic Cable Protection
- Includes four (4) C-size Alkaline Batteries

► **Accessories (Sold Separately)**

- Accessories (Specify separately)
- See OPTIMA Accessories Section of the Sloan Catalog for a Complete listing of OPTIMA Faucet Accessories and Variations.

► **Battery Life**

2 Years @ 8,000 Flushes / Month

► **Sensor Range**

Nominal: 4" - 5" (102 mm - 127 mm)

Self-adaptive Zone: 2" - 8" (51 mm - 203 mm) — Faucet selfadjustment range within this zone dependent upon depth and reflectivity of basin.

► **Control Circuit**

6 VDC — Operates on four (4) alkaline C-size batteries. Self-adaptive Range Adjustment, Audible Troubleshooting and Low Battery Indicator. Fiber Optic Cable between Electronic Module and Faucet keeps all electronic signals below the sink.

► **Solenoid Valve**

Low Energy Latching Solenoid with Selfcleaning By-pass and Integral Clean Out Strainer Filter.

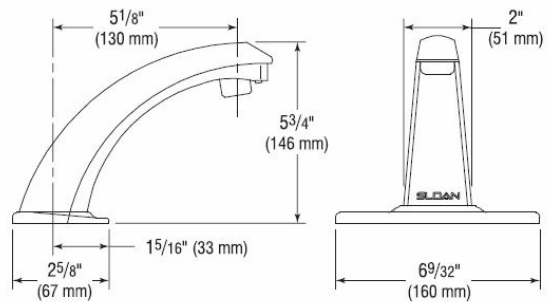
► **Time Out Adjustment Settings**

30 seconds — The Faucet Time out Setting determines the maximum time the faucet will run upon continuous detection. The EBF-85 is Factory set at the 30 second time out. Consult factory for time out settings to meet individual application requirements.

► **Maximum Distance Control Module may be Installed from Spout**

30" (762 mm)

► **OPERATION**



► **Automatic Operation**

The Sloan OPTIMA Plus® EBF-85 Battery Powered, Electronic Hand Washing Faucet operates by means of an adaptive infrared sensor that is linked to the faucet by a fiber optic cable. Once the user's hands enter the sensor's effective range, the Solenoid activates the water flow. Tempered water flows from the Faucet until hands are moved away. The Faucet then automatically shuts off.

► **Hygienic**

The ultimate in sanitary protection — there are no handles to turn or buttons to push. Helps to control the spread of infectious diseases.

► **Economical**

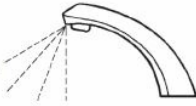
Automatic operation provides water usage savings over other faucet devices. Reduces maintenance and operation costs. Self-adaptive Range Adjustment makes installation quick and easy. Battery operation ideal for Retrofit installations.

► **Compliance & Certifications**



This space for Architect/Engineer Approval

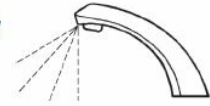
1. Continuous, invisible light beams are emitted from the OPTIMA® Sensor. Fiber optic cables transmit the light from the circuit to the spout.



2. The faucet is activated by placing hands beneath the spray head, thus activating the Solenoid Valve. Tempered water flows for as long as hands continue to stay within the Sensor's range (30 second automatic shut off).

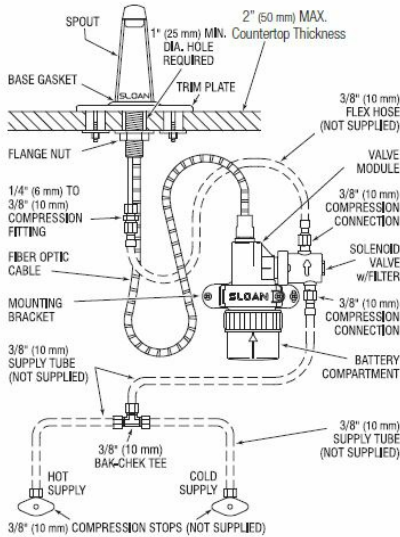


3. When hands are removed, the water flow automatically stops. The faucet is then ready for the next user.

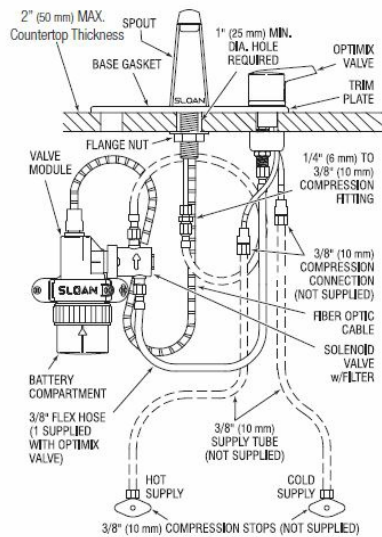


► ROUGH-IN

EBF-85 Faucet with Bak-Chek® Tee for Hot and Cold Water Supply (shown with 4" trim plate)



EBF-85 Faucet with ADM Variation Mixing Valve for Hot and Cold Water Supply (shown with 8" trim plate)



EBF-85 Faucet with BDM and BDT Variation Mixing Valves for Hot and Cold Water Supply (shown with 4" trim plate)

