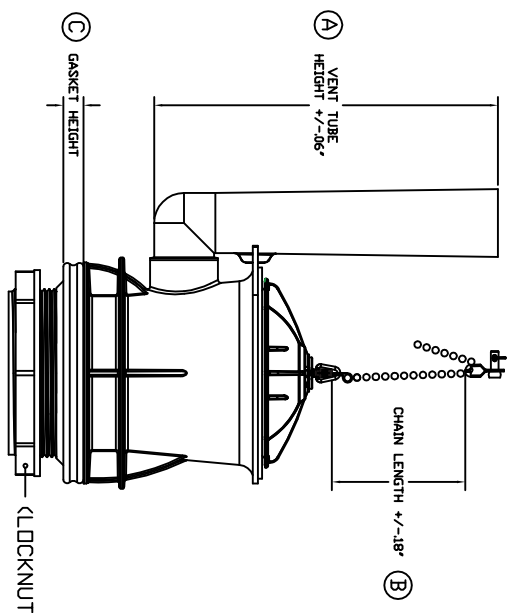


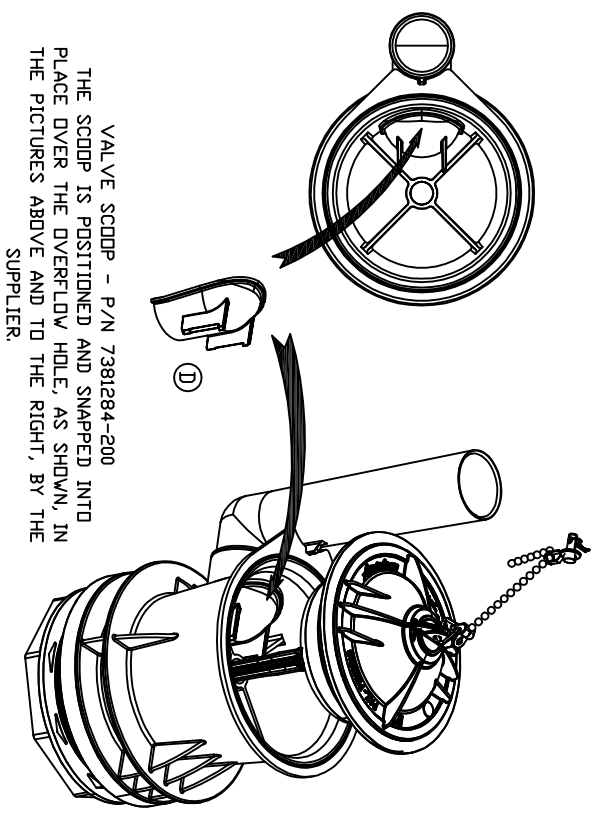
**CRITICAL DIMENSION**

THIS DRAWING AND THE INFORMATION HEREON AND ALL RIGHTS THEREIN ARE PROPRIETARY AND CONFIDENTIAL. THE CONTENTS OF THIS DRAWING ARE NOT TO BE REPRODUCED, COPIED, EITHER WHOLLY OR IN PART, OR TRANSMITTED IN ANY FORM OR BY ANY MEANS, ELECTRONIC OR MECHANICAL, INCLUDING PHOTOCOPYING, RECORDING, OR BY ANY INFORMATION STORAGE AND RETRIEVAL SYSTEM, WITHOUT THE WRITTEN PERMISSION OF AMERICAN STANDARD.

738951 -407



CHAMPION4 - STANDARD CONFIGURATION



CHAMPION4 - HET CONFIGURATION

CHAMPION4 2PC FLUSHVALVE CONFIGURATIONS

CONFIGURATION	AS DEM P/N	FM REF P/N	AS REPAIR P/N	TUBE LENGTH	CHAIN LENGTH	GASKET HEIGHT	AS GASKET P/N	FM GASKET P/N	SCDOOP
1	738951-400	CHAMPION42PC	3174.002-0070A	7.00'	3.48'	.33'	7381202-201	5-2300-03	ND
2	738951-401	CHAMPION42FW	3174.102-0070A	6.14'	4.42'	.33'	7381202-201	5-2300-03	ND
3	738951-402	CHAMPION42PC1	3174.002-0070A	7.00'	4.42'	.33'	7381202-201	5-2300-03	ND
4	738951-403	CHAMPION42PC3	3174.102-0070A	6.14'	3.35'	.33'	7381202-201	5-2300-03	YES
5	738951-404	CHAMPION42PC4	3174.103-0070A	6.40'	3.35'	.33'	7381202-201	5-2300-03	YES
6	738951-405	CHAMPION42PCS	3174.104-0070A	5.90'	3.35'	.33'	7381202-201	5-2300-03	YES
7	738951-406	CHAMPION42PC6	3174.105-0070A	7.00'	3.48'	.48'	7381202-202	5-2300-04	ND
8	738951-407	CHAMPION42PC7	3174.106-0070A	6.65'	3.35'	.33'	7381202-201	5-2300-03	YES

NOTES:

- ASB MFG RECIEVES LOCKNUT P/N 738978-100 LOOSE FROM VALVE SPUD.
- ASB REPAIR PARTS RECIEVES LOCKNUT P/N 738978-100 DN VALVE SPUD.

1. ASB THE SCOOP TO -404		2. ASB THE SCOOP TO -404		3. ASB THE SCOOP TO -404		4. ASB THE SCOOP TO -404		5. ASB THE SCOOP TO -404		6. ASB THE SCOOP TO -404		7. ASB THE SCOOP TO -404		8. ASB THE SCOOP TO -404		9. ASB THE SCOOP TO -404		10. ASB THE SCOOP TO -404		11. ASB THE SCOOP TO -404		12. ASB THE SCOOP TO -404		13. ASB THE SCOOP TO -404		14. ASB THE SCOOP TO -404		15. ASB THE SCOOP TO -404		16. ASB THE SCOOP TO -404		17. ASB THE SCOOP TO -404		18. ASB THE SCOOP TO -404		19. ASB THE SCOOP TO -404		20. ASB THE SCOOP TO -404			
DATE		DATE		DATE		DATE		DATE		DATE		DATE		DATE		DATE		DATE		DATE		DATE		DATE		DATE		DATE		DATE		DATE		DATE		DATE		DATE		DATE	
DESCRIPTION		DESCRIPTION		DESCRIPTION		DESCRIPTION		DESCRIPTION		DESCRIPTION		DESCRIPTION		DESCRIPTION		DESCRIPTION		DESCRIPTION		DESCRIPTION		DESCRIPTION		DESCRIPTION		DESCRIPTION		DESCRIPTION		DESCRIPTION		DESCRIPTION		DESCRIPTION		DESCRIPTION		DESCRIPTION		DESCRIPTION	
DATE		DATE		DATE		DATE		DATE		DATE		DATE		DATE		DATE		DATE		DATE		DATE		DATE		DATE		DATE		DATE		DATE		DATE		DATE		DATE		DATE	
DATE		DATE		DATE		DATE		DATE		DATE		DATE		DATE		DATE		DATE		DATE		DATE		DATE		DATE		DATE		DATE		DATE		DATE		DATE		DATE		DATE	
DATE		DATE		DATE		DATE		DATE		DATE		DATE		DATE		DATE		DATE		DATE		DATE		DATE		DATE		DATE		DATE		DATE		DATE		DATE		DATE		DATE	
DATE		DATE		DATE		DATE		DATE		DATE		DATE		DATE		DATE		DATE		DATE		DATE		DATE		DATE		DATE		DATE		DATE		DATE		DATE		DATE		DATE	
DATE		DATE		DATE		DATE		DATE		DATE		DATE		DATE		DATE		DATE		DATE		DATE		DATE		DATE		DATE		DATE		DATE		DATE		DATE		DATE		DATE	
DATE		DATE		DATE		DATE		DATE		DATE		DATE		DATE		DATE		DATE		DATE		DATE		DATE		DATE		DATE		DATE		DATE		DATE		DATE		DATE		DATE	
DATE		DATE		DATE		DATE		DATE		DATE		DATE		DATE		DATE		DATE		DATE		DATE		DATE		DATE		DATE		DATE		DATE		DATE		DATE		DATE		DATE	
DATE		DATE		DATE		DATE		DATE		DATE		DATE		DATE		DATE		DATE		DATE		DATE		DATE		DATE		DATE		DATE		DATE		DATE		DATE		DATE		DATE	
DATE		DATE		DATE		DATE		DATE		DATE		DATE		DATE		DATE		DATE		DATE		DATE		DATE		DATE		DATE		DATE		DATE		DATE		DATE		DATE		DATE	
DATE		DATE		DATE		DATE		DATE		DATE		DATE		DATE		DATE		DATE		DATE		DATE		DATE		DATE		DATE		DATE		DATE		DATE		DATE		DATE		DATE	
DATE		DATE		DATE		DATE		DATE		DATE		DATE		DATE		DATE		DATE		DATE		DATE		DATE		DATE		DATE		DATE		DATE		DATE		DATE		DATE		DATE	
DATE		DATE		DATE		DATE		DATE		DATE		DATE		DATE		DATE		DATE		DATE		DATE		DATE		DATE		DATE		DATE		DATE		DATE		DATE		DATE		DATE	
DATE		DATE		DATE		DATE		DATE		DATE		DATE		DATE		DATE		DATE		DATE		DATE		DATE		DATE		DATE		DATE		DATE		DATE		DATE		DATE		DATE	
DATE		DATE		DATE		DATE		DATE		DATE		DATE		DATE		DATE		DATE		DATE		DATE		DATE		DATE		DATE		DATE		DATE		DATE		DATE		DATE		DATE	
DATE		DATE		DATE		DATE		DATE		DATE		DATE		DATE		DATE		DATE		DATE		DATE		DATE		DATE		DATE		DATE		DATE		DATE		DATE		DATE		DATE	
DATE		DATE		DATE		DATE		DATE		DATE		DATE		DATE		DATE		DATE		DATE		DATE		DATE		DATE		DATE		DATE		DATE		DATE		DATE		DATE		DATE	
DATE		DATE		DATE		DATE		DATE		DATE		DATE		DATE		DATE		DATE		DATE		DATE		DATE		DATE		DATE		DATE		DATE		DATE		DATE		DATE		DATE	
DATE		DATE		DATE		DATE		DATE		DATE		DATE		DATE		DATE		DATE		DATE		DATE		DATE		DATE		DATE		DATE		DATE		DATE		DATE		DATE		DATE	
DATE		DATE		DATE		DATE		DATE		DATE		DATE		DATE		DATE		DATE		DATE		DATE		DATE		DATE		DATE		DATE		DATE		DATE		DATE		DATE		DATE	
DATE		DATE		DATE		DATE		DATE		DATE		DATE		DATE		DATE		DATE		DATE		DATE		DATE		DATE		DATE		DATE		DATE		DATE		DATE		DATE		DATE	
DATE		DATE		DATE		DATE		DATE		DATE		DATE		DATE		DATE		DATE		DATE		DATE		DATE		DATE		DATE		DATE		DATE		DATE		DATE		DATE		DATE	
DATE		DATE		DATE		DATE		DATE		DATE		DATE		DATE		DATE		DATE		DATE		DATE		DATE		DATE		DATE		DATE		DATE		DATE		DATE		DATE		DATE	
DATE		DATE		DATE		DATE		DATE		DATE		DATE		DATE		DATE		DATE		DATE		DATE		DATE		DATE		DATE		DATE		DATE		DATE		DATE		DATE		DATE	
DATE		DATE		DATE		DATE		DATE		DATE		DATE		DATE		DATE		DATE		DATE		DATE		DATE		DATE		DATE		DATE		DATE		DATE		DATE		DATE		DATE	
DATE		DATE		DATE		DATE		DATE		DATE		DATE		DATE		DATE		DATE		DATE		DATE		DATE		DATE		DATE		DATE		DATE		DATE		DATE		DATE		DATE	
DATE		DATE		DATE		DATE		DATE		DATE		DATE		DATE		DATE		DATE		DATE		DATE		DATE		DATE		DATE		DATE		DATE		DATE		DATE		DATE		DATE	
DATE		DATE		DATE		DATE		DATE		DATE		DATE		DATE		DATE		DATE		DATE		DATE		DATE		DATE		DATE		DATE		DATE		DATE		DATE		DATE		DATE	
DATE		DATE		DATE		DATE		DATE		DATE		DATE		DATE		DATE		DATE		DATE		DATE		DATE		DATE		DATE		DATE		DATE		DATE		DATE		DATE		DATE	
DATE		DATE		DATE		DATE		DATE		DATE		DATE		DATE		DATE		DATE		DATE		DATE		DATE		DATE		DATE		DATE		DATE		DATE		DATE		DATE		DATE	
DATE		DATE		DATE		DATE		DATE		DATE		DATE		DATE		DATE		DATE		DATE		DATE		DATE		DATE		DATE		DATE		DATE		DATE		DATE		DATE		DATE	
DATE		DATE		DATE		DATE		DATE		DATE		DATE		DATE		DATE		DATE		DATE		DATE		DATE		DATE		DATE		DATE		DATE		DATE		DATE		DATE		DATE	
DATE		DATE		DATE		DATE		DATE		DATE		DATE		DATE		DATE		DATE		DATE		DATE		DATE		DATE		DATE		DATE		DATE		DATE		DATE		DATE		DATE	
DATE		DATE		DATE		DATE		DATE		DATE		DATE		DATE		DATE		DATE		DATE		DATE		DATE		DATE		DATE		DATE		DATE		DATE		DATE		DATE		DATE	
DATE		DATE		DATE		DATE		DATE		DATE		DATE		DATE		DATE		DATE		DATE		DATE		DATE		DATE		DATE		DATE		DATE		DATE		DATE		DATE		DATE	
DATE		DATE		DATE		DATE		DATE		DATE		DATE		DATE		DATE		DATE		DATE		DATE		DATE		DATE		DATE		DATE		DATE		DATE		DATE		DATE		DATE	
DATE		DATE		DATE		DATE		DATE		DATE		DATE		DATE		DATE		DATE		DATE		DATE		DATE		DATE		DATE		DATE		DATE		DATE		DATE		DATE		DATE	
DATE		DATE		DATE		DATE		DATE		DATE		DATE		DATE		DATE		DATE		DATE		DATE		DATE		DATE		DATE		DATE		DATE		DATE		DATE		DATE		DATE	
DATE		DATE		DATE		DATE		DATE		DATE		DATE		DATE		DATE		DATE		DATE		DATE		DATE		DATE		DATE		DATE		DATE		DATE		DATE		DATE		DATE	
DATE		DATE		DATE		DATE		DATE		DATE		DATE		DATE		DATE		DATE		DATE		DATE		DATE		DATE		DATE		DATE		DATE		DATE		DATE		DATE		DATE	
DATE		DATE		DATE		DATE		DATE		DATE		DATE		DATE		DATE		DATE		DATE		DATE		DATE		DATE		DATE		DATE		DATE		DATE		DATE		DATE		DATE	
DATE		DATE		DATE		DATE		DATE		DATE		DATE		DATE		DATE		DATE		DATE		DATE		DATE		DATE		DATE		DATE		DATE		DATE		DATE		DATE		DATE	
DATE		DATE		DATE		DATE		DATE		DATE		DATE		DATE		DATE		DATE		DATE		DATE		DATE		DATE		DATE		DATE		DATE		DATE		DATE		DATE		DATE	
DATE		DATE		DATE		DATE		DATE		DATE		DATE		DATE		DATE		DATE		DATE		DATE		DATE		DATE		DATE		DATE		DATE		DATE		DATE		DATE		DATE	
DATE		DATE		DATE		DATE		DATE		DATE		DATE		DATE		DATE		DATE		DATE		DATE		DATE		DATE		DATE		DATE		DATE		DATE		DATE		DATE		DATE	
DATE		DATE		DATE																																					